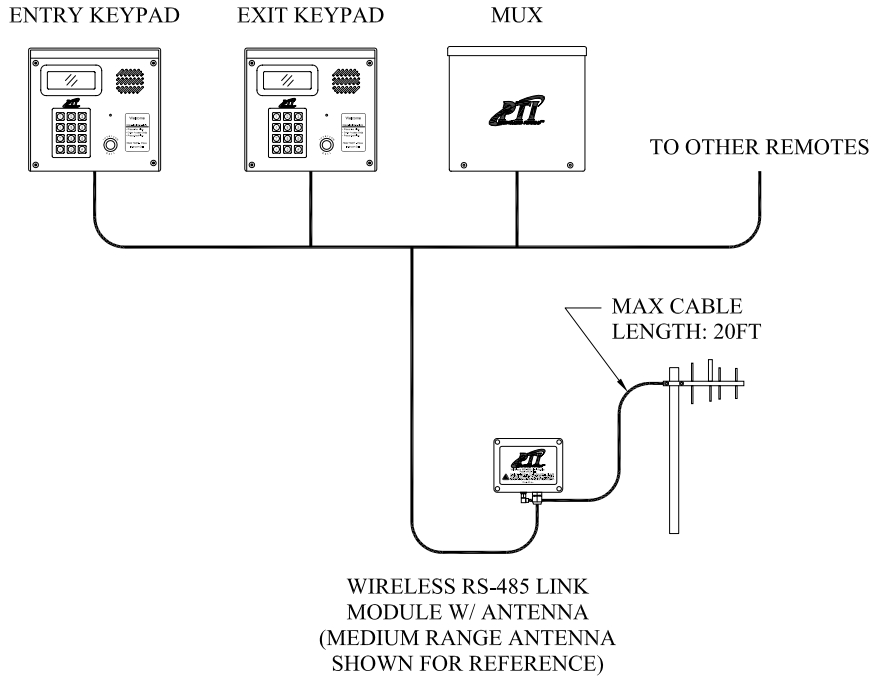
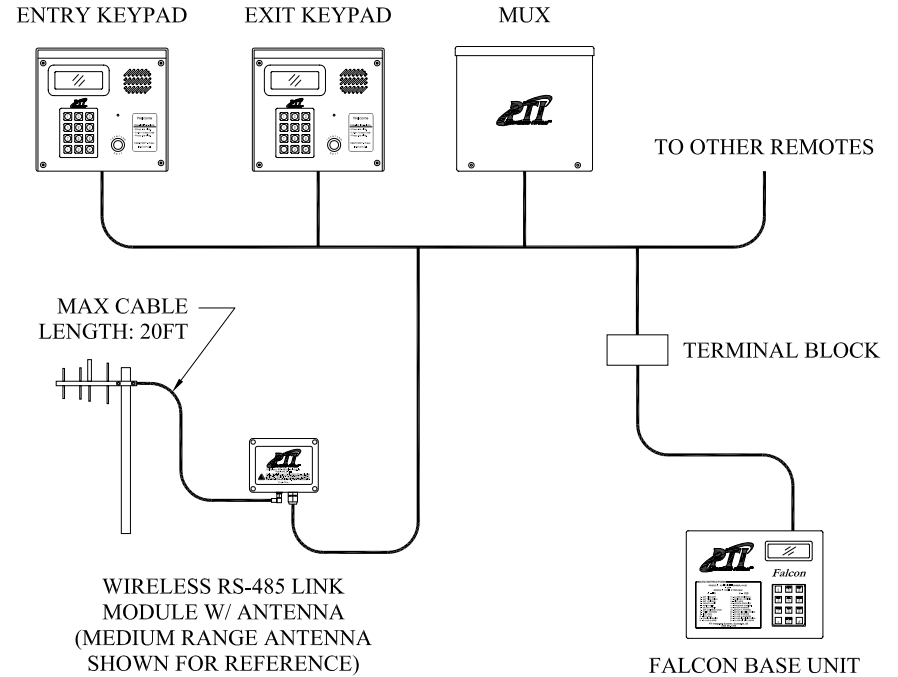


PTI INTEGRATED SYSTEMS PROPRIETARY
 THIS DOCUMENT AND THE INFORMATION DISCLOSED HEREIN ARE PROPRIETARY DATA OF PTI INTEGRATED SYSTEMS. NEITHER THIS DOCUMENT NOR THE INFORMATION CONTAINED HEREIN SHALL BE REPRODUCED, USED OR DISCLOSED TO OTHERS WITHOUT THE WRITTEN AUTHORIZATION OF PTI INTEGRATED SYSTEMS.

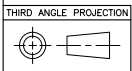
PT REV	DESCRIPTION	BY	DATE
A	ADDED MAX ANT. CBL LGTH.	LAC	5/13/03



REMOTE SITE WIRING



MAIN SITE WIRING



UNLESS OTHERWISE SPECIFIED
 ALL DIMENSIONS IN INCHES.
 TOLERANCE: ±N/A
 ANGLE TOLERANCE (DEG): ±N/A
 REMOVE BURRS & SHARP EDGES.



8271 E. Gelding Drive
 Scottsdale, AZ 85260
 Phone 480.991.1259
 FAX 480.991.1395
 ORIGINATION DATE 11/21/02

DRAWING DESCRIPTION		DWG REV	
WIRELESS 485 LINK MODULE SYSTEM WIRING SCHEMATIC		A.00	
SCALE NONE	DRAWN BY L. CAMPANELLI	SHEET 1 OF 1	